

## Fuse Holders and Blocks

# Class H(K) and R fuse blocks – 250V

### H250 & R250 Series

#### Specifications

#### Descriptions:

**H250 Series:** fuse blocks for use with 1-, 2- and 3-pole Class H fuses.

**R250 Series:** fuse blocks for use with 1-, 2- and 3-pole Class R fuses (Cooper Bussmann LPN-RK and FRN-R, DLN-R and KTN-R fuses).



**Dimensions:** See Dimensions illustrations.

**Construction:** Thermoplastic.

#### Ratings:

Volts: — 250V (H250 & R250 Series)

Amps: — 1/10-600A

Withstand: — H250 Series; 10,000A RMS Sym.

— R250 Series; 200,000A RMS Sym.

**Agency Information:** CE, UL Listed UL512, Guide IZLT, File E14853; CSA Certified, Class 6225-01, File 47235.

**Flammability Rating:** UL 94V0.

#### Features and Benefits

- H250 fuse blocks provide one, two and three pole housing for Class H, K and R fuses at 250Vac.
- H250 fuse blocks are listed with a Short Circuit Current Rating of 10,000A RMS Sym.
- R250 fuse blocks provide one, two and three pole housing for Class R fuses at 250Vac.
- R250 fuse blocks are listed with a Short Circuit Current Rating of 200,000 amps RMS Sym.

#### Typical Applications

- 250V or less Control Systems
- 250V or less Industrial Control
- 250V or less Individual Control Circuits

#### Specifications For Class H Fuse blocks (250V) Catalog Data(for NON and REN Fuses)

Basic Catalog Numbers	Amps	Poles	Terminal Type (Suffix No.)										Wire Range
			Screw					Box Lug w/					
			I	Clips w/ Rein. Spring	Pres. Plt.	Pres.Plt. & Clip w/ Rein. Spring	I	Clips w/ Rein. Spring	Clips w/ Rein. Spring	CU Only	0.25" Qck. Con.		
H25030-1	1/10-30	1	S	SR	P	PR	C	CR	COR	CO	Q	C, CR #2-14 CU, #2-12 AL	
H25030-2		2	S	SR	P	PR	C	CR	COR	CO	Q	CO, COR #6-14 CU ONLY	
H25030-3		3	S	SR	P	PR	C	CR	COR	CO	Q	P, PR #10-18 CU ONLY	
												Q N/A, S, SR #10-18 CU ONLY	
H25060-1	31-60	1	—	—	—	—	C	CR	COR	CO	—	C, CR #2-14 CU, #2-8 AL	
H25060-2		2	—	—	—	—	C	CR	COR	CO	—	CO, COR #2-14 CU ONLY	
H25060-3		3	—	—	—	—	C	CR	COR	CO	—		
H25100-1	61-100	1	—	SR	—	—	—	CR	COR	—	—	COR #1/0-8 CU ONLY	
H25100-2		2	—	SR	—	—	—	CR	COR	—	—	CR #1/0-8 CU/AL	
H25100-3		3	—	SR	—	—	—	CR	COR	—	—	SR #8W/ Ring Terminal	
H25200-1	101-200	1	—	—	—	—	—	CR	—	—	—	CR 250kcmil-6 CU/AL	
H25200-3		3	—	—	—	—	—	CR	—	—	—		
H25400-1	201-400	1	—	—	—	—	—	CR*	—	—	—	CR 500kcmil-4 CU/AL	
H25400-3		3	—	—	—	—	—	CR†	—	—	—		
H25600-1	401-600	1	—	—	—	—	—	CR	—	—	—	CR (2) 500kcmil-4/0 CU/AL	
H25600-3		3	—	—	—	—	—	CR†	—	—	—		

\*UL Recognized, CSA Certification.

†No UL, No CSA Certification.

#### Dimensions For Class H Fuse blocks (250V) Catalog Data (for NON and REN Fuses)

Basic Catalog Numbers	Fig. No.	Dimensions (in) — See next page for figures.									C' Bore	J Dia. X K
		A	B	C	D	E	F	G	H			
H25030-1	1											
H25030-2	2											
H25030-3	3											
H25060-1	4			1.5						—	0.22 x 0.41	0.27
H25060-2	5	4.25	1.73	2.81	1.5	0.5	0.5	1.25	1.31			
H25060-3	6			4.125					1.31			
H25100-1	7											
H25100-2	8											
H25100-3	9											
H25200-1	10	7.125	3.09	3.0	2.06	0.5	2.0	3.0	0.75	—		0.31
H25200-3	11											
H25400-1	10	9.06	4.0	3.0	3.02	0.63	1.75	3.0	1.00	—		0.31
H25400-3	12	9.06	4.0	4.0	2.50	0.82	9.25	10.88	1.00			
H25600-1	10	11.0	4.97	3.0	4.0	1.125	1.75	4.0	1.00	—		0.31
H25600-3	12	11.0	4.97	5.0	3.0	1.87	11.0	14.74	1.00			

Data Sheet: H250 Series, 1112; R250 Series, 1110

# Class H(K) and R fuse blocks – 250V

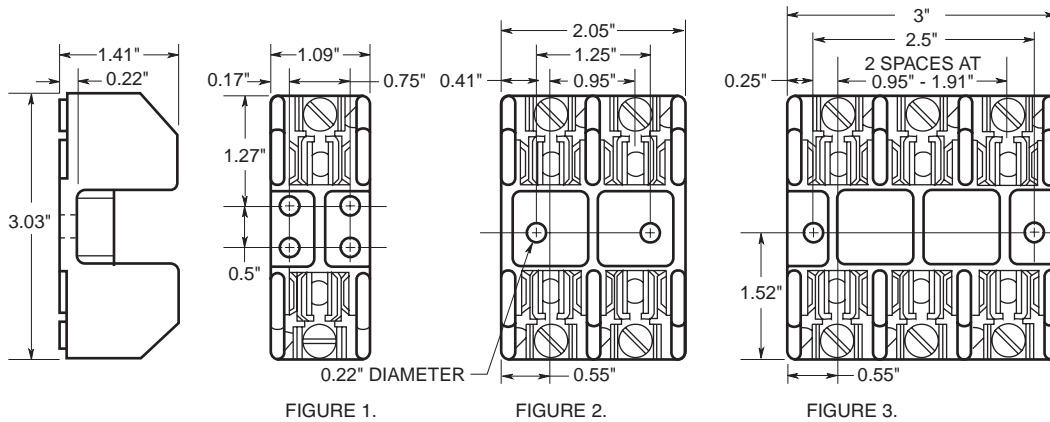
## Catalog Numbers For Class R Fuse blocks (250V) Catalog Data (for LPN-RK, FRN-R, DLN-R and KTN-R Fuses)

Basic Catalog Number	Amps	Terminal Type (Suffix No.)						Fig. No.	Dimensions (in)										Wire Range	
		Poles	Screw w/			Box Lug w/			Quick-Connect	A	B	C	D	E	F	G	H	J Dia. X C' Bore		K
			—	Pres. Plate	—	Clip Cu Only	0.25"													
R25030-1	1/0	1	SR	PR	CR	COR	QR*	1	(See Figures)										COR #6-14 CU ONLY	
R25030-2	to	2	SR	PR	CR	COR	QR*	2											CR #2-14 CU, #2-12 AL	
R25030-3	30	3	SR	PR	CR	COR	QR*	3											PR #10-18 CU ONLY	
																			QR N/A	
R25060-1	31	1	—		CR	COR	—	4			1.5					—			SR #10-18 CU ONLY	
R25060-2	to	2	—		CR	COR	—	5	4.25	1.73	2.81	1.5	0.5	0.5	1.25	1.31	0.22 x 0.41	0.27	COR #2-14 CU ONLY	
R25060-3	60	3	—		CR	COR	—	6			4.125					1.31			CR #2-14 CU, #2-8 AL	
R25100-1	61	1	—		CR	COR	—	7	(See Figures)											
R25100-2	to	2	—		CR	COR	—	8											COR 1/0-8 CU ONLY	
R25100-3	100	3	—		CR	COR	—	9											CR 1/0-8 CU/AL	
R25200-1	101	1	—		CR	—	—	10	7.125	3.15	3.0	2.06	0.5	2.0	3.0	0.75	—	0.31	CR 250kcmil-6 CU/AL	
R25200-3	to	3			CR	—		11	(See Figure)											
	200																			
R25400-1	201	1	—		CR†	COR‡	—	10	9.06	4.0	3.0	3.02	0.91	1.75	3.0	1.0		0.56	COR 500kcmil-4/0 ONLY	
R25400-3	to	3			CR†	COR†		12	9.06	4.0	4.0	2.5	0.82	9.25	10.88	1.0			CR 500kcmil-4 CU/ALCU	
	400																			
R25600-1	401	1	—		CR	—	—	10	11.0	4.97	3.0	4.0	1.125	1.75	4.0	1.0		0.56	CR (2) 500kcmil-4/0 CU/AL	
R25600-3	to	3	—		CR†	—	—	12	11.0	4.97	5.0	3.0	1.87	11.0	14.74	1.0				
	600																			

\*UL Recognized, No CSA Certification.  
†No UL, No CSA Certification.  
‡UL Recognized, CSA Certification

Fuse Holders & Blocks

### Dimensions 250V 1/0A to 30A



# Fuse Holders and Blocks

## Class H(K) and R fuse blocks - 250V

### 250V, 31A to 60A

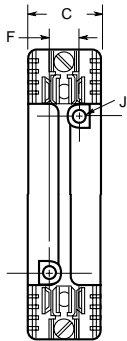
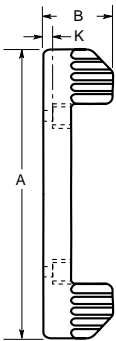


FIGURE 4.

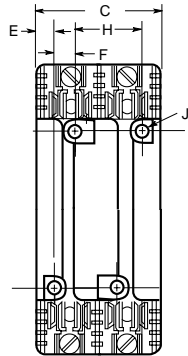


FIGURE 5.

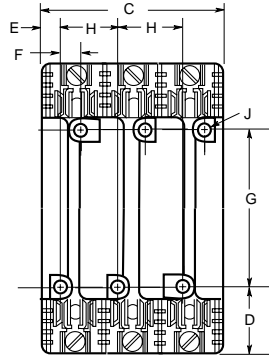


FIGURE 6.

### 250V, 61A to 100A

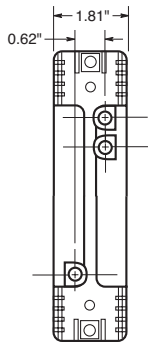
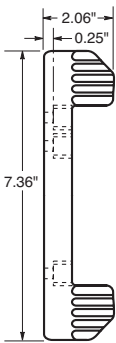


FIGURE 7.

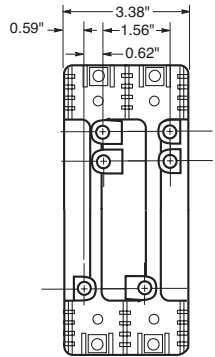


FIGURE 8.

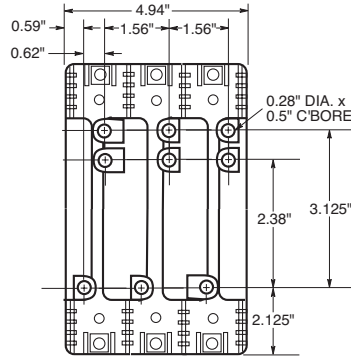


FIGURE 9.

### 250V, 101A to 600A

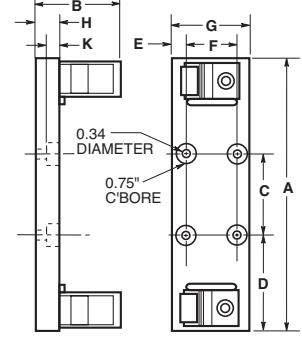


FIGURE 10.

### 250V, 101A to 200A

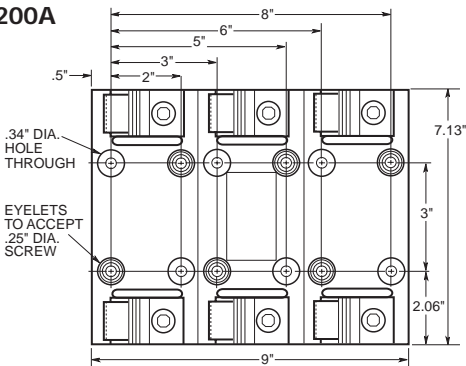
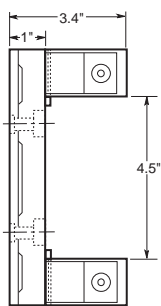


FIGURE 11.

### 250V, 201A to 600A

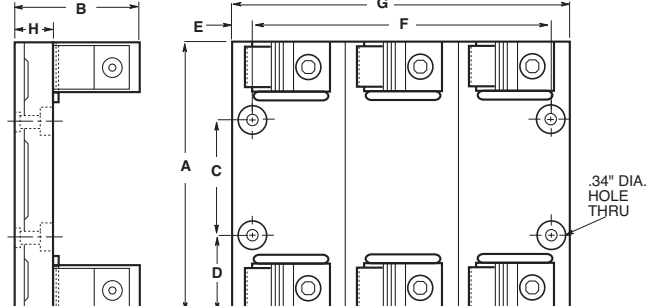


FIGURE 12.